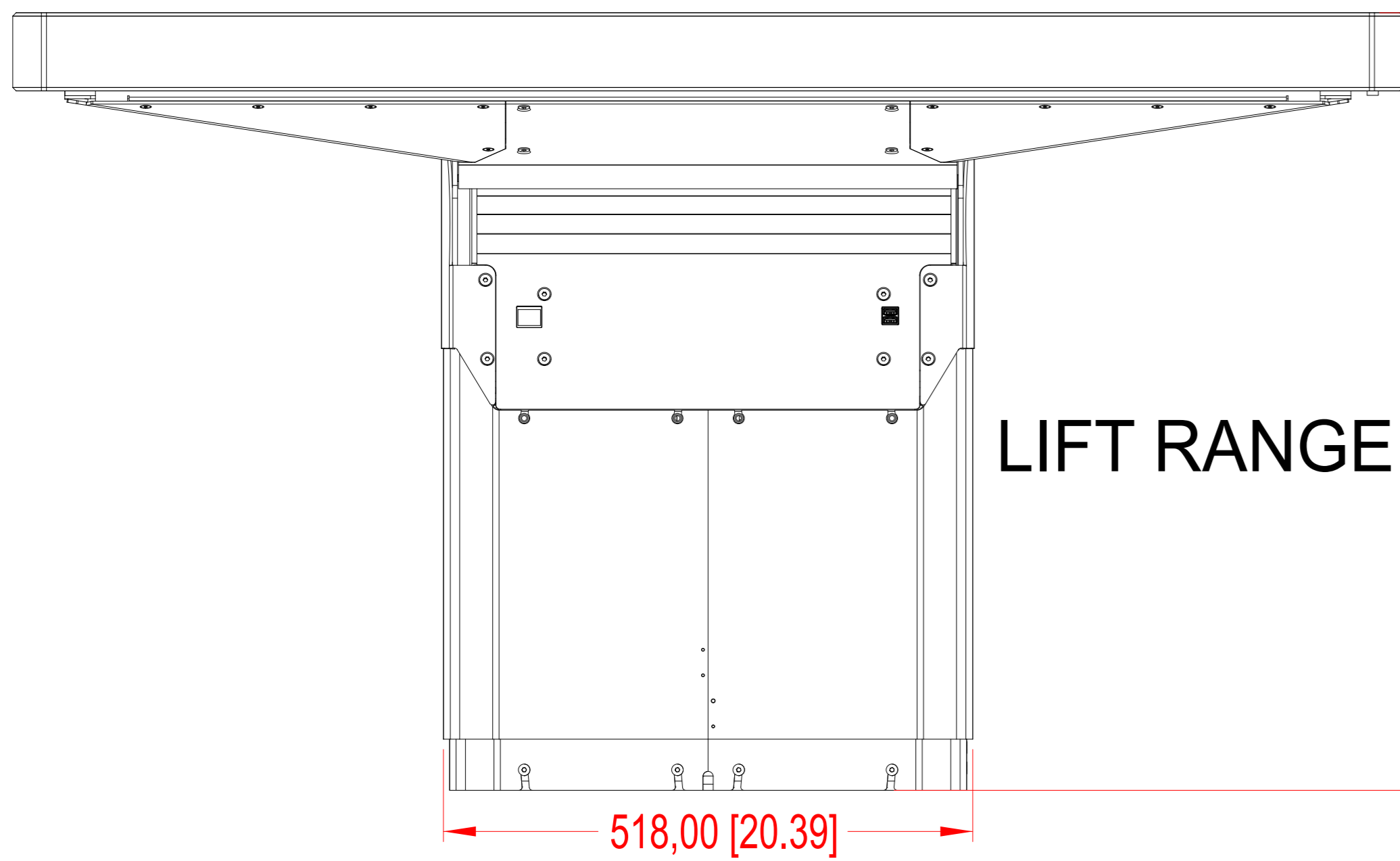


This document is the property of Hatteland Technology AS. The document and any authorized reproduction thereof, must not be used in any way against the interest of Hatteland Technology AS. Any authorized reproduction, in whole or in part, must include this legend.

FRONT VIEW

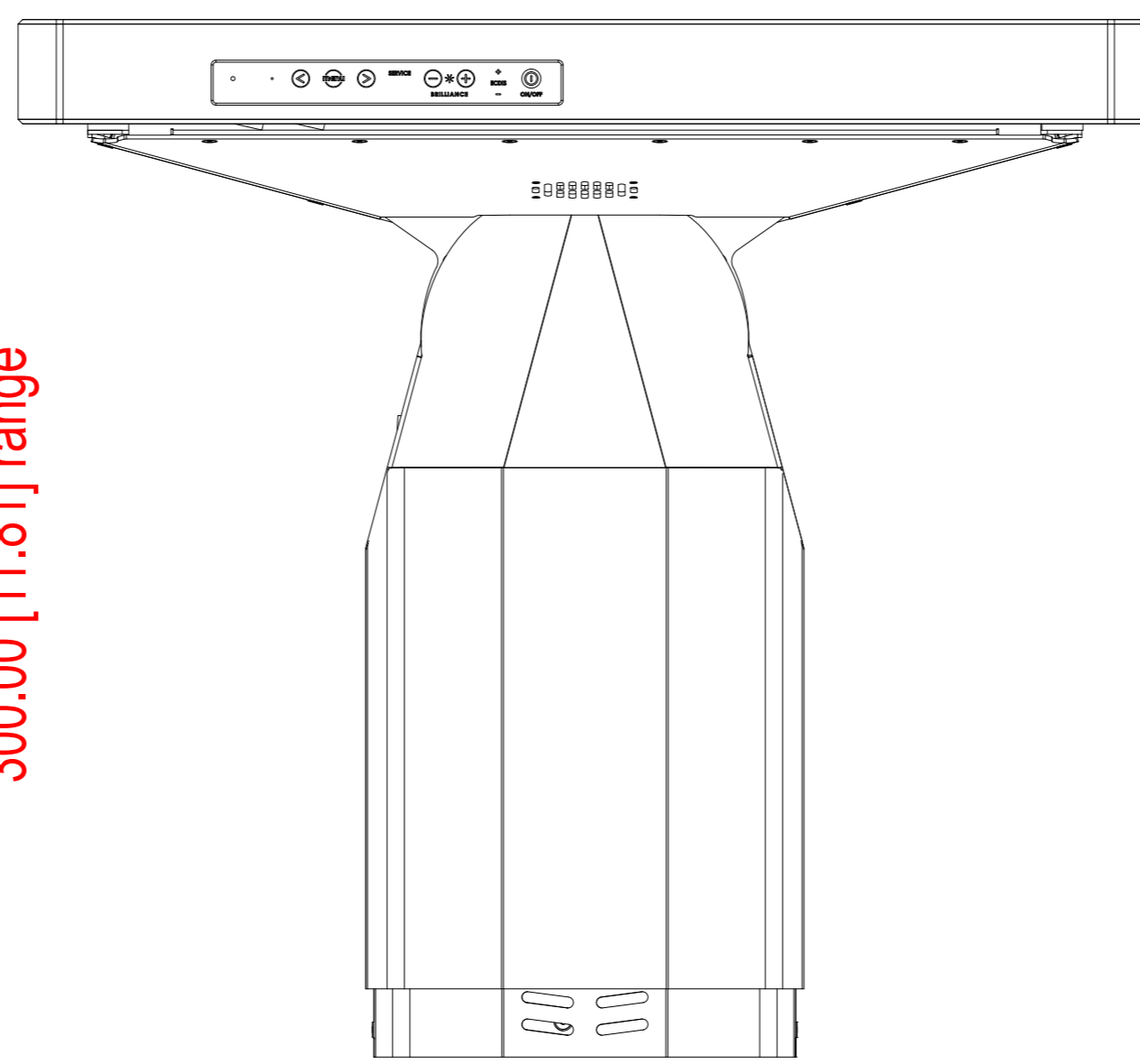


518,00 [20.39]

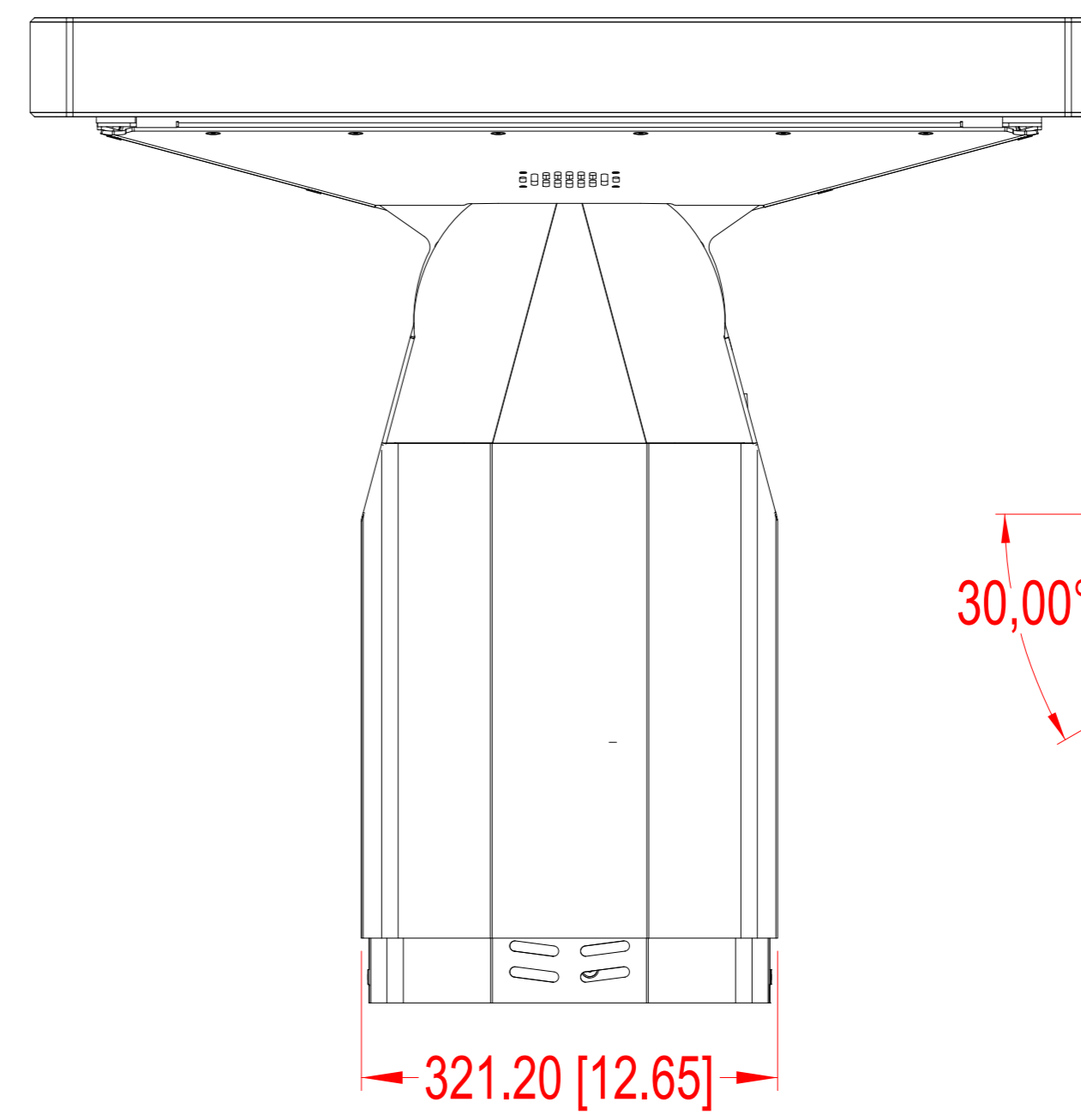
LIFT RANGE

761.00 [29.96] - 1061.00 [41.77]
300.00 [11.81] range

RIGHT VIEW

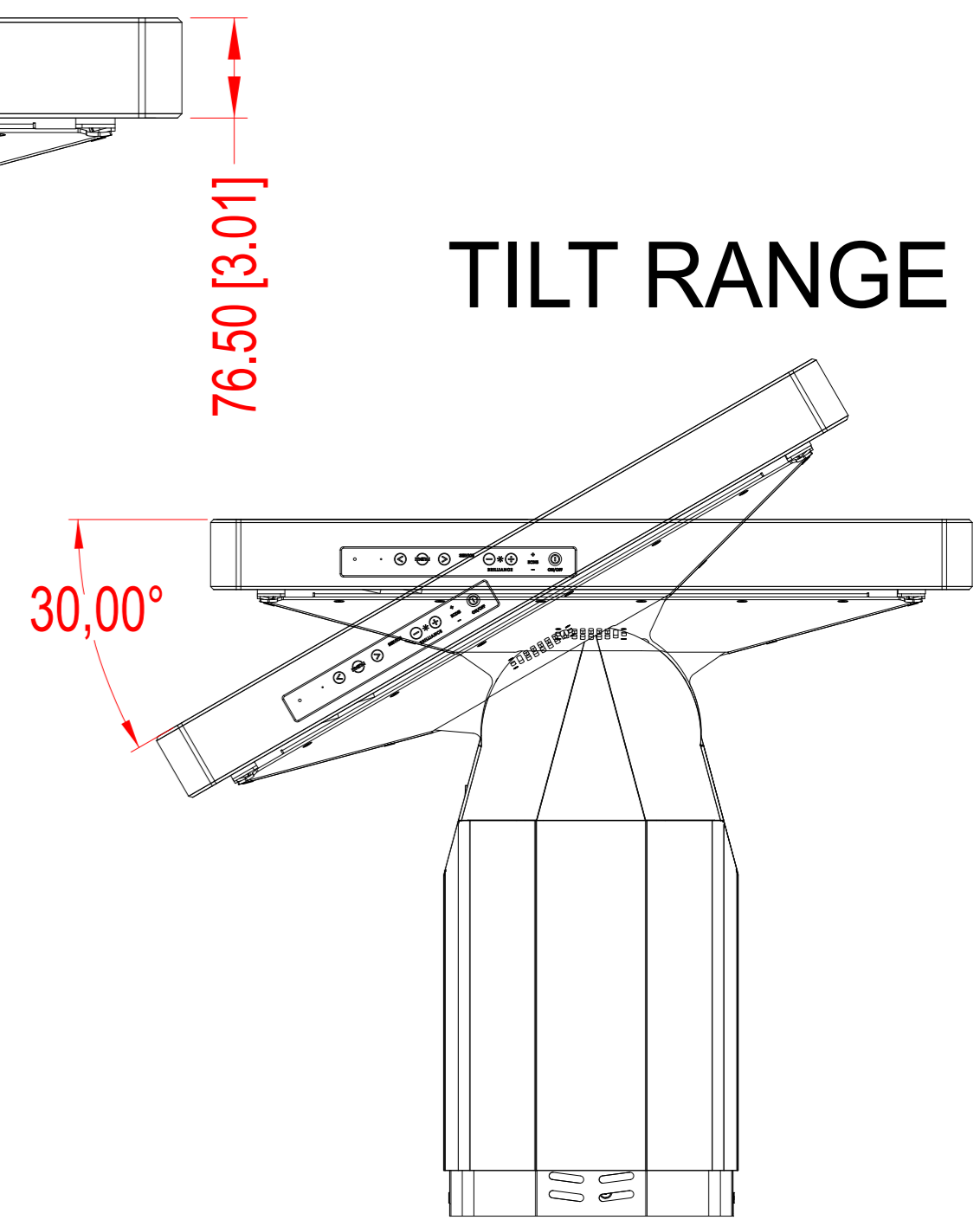


LEFT VIEW



321.20 [12.65]

TILT RANGE



76.50 [3.01]

30,00°

TOP VIEW

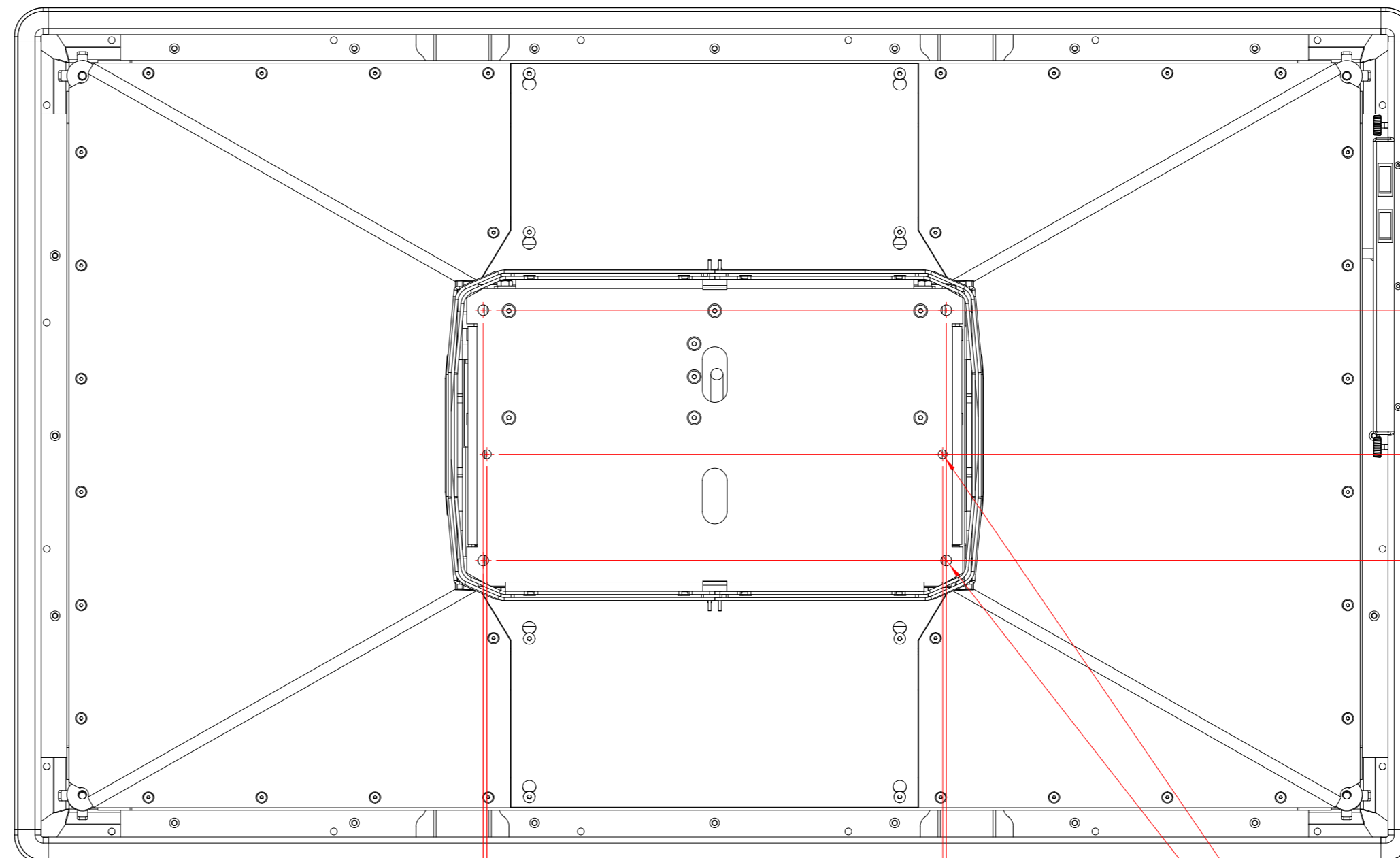
1360.68 [53.57]



680.40 [26.79] viewing area

1209.60 [47.62] viewing area

BOTTOM VIEW / MOUNTING POINTS



3.50 [0.14]

443.00 [17.44]

450.00 [17.72]

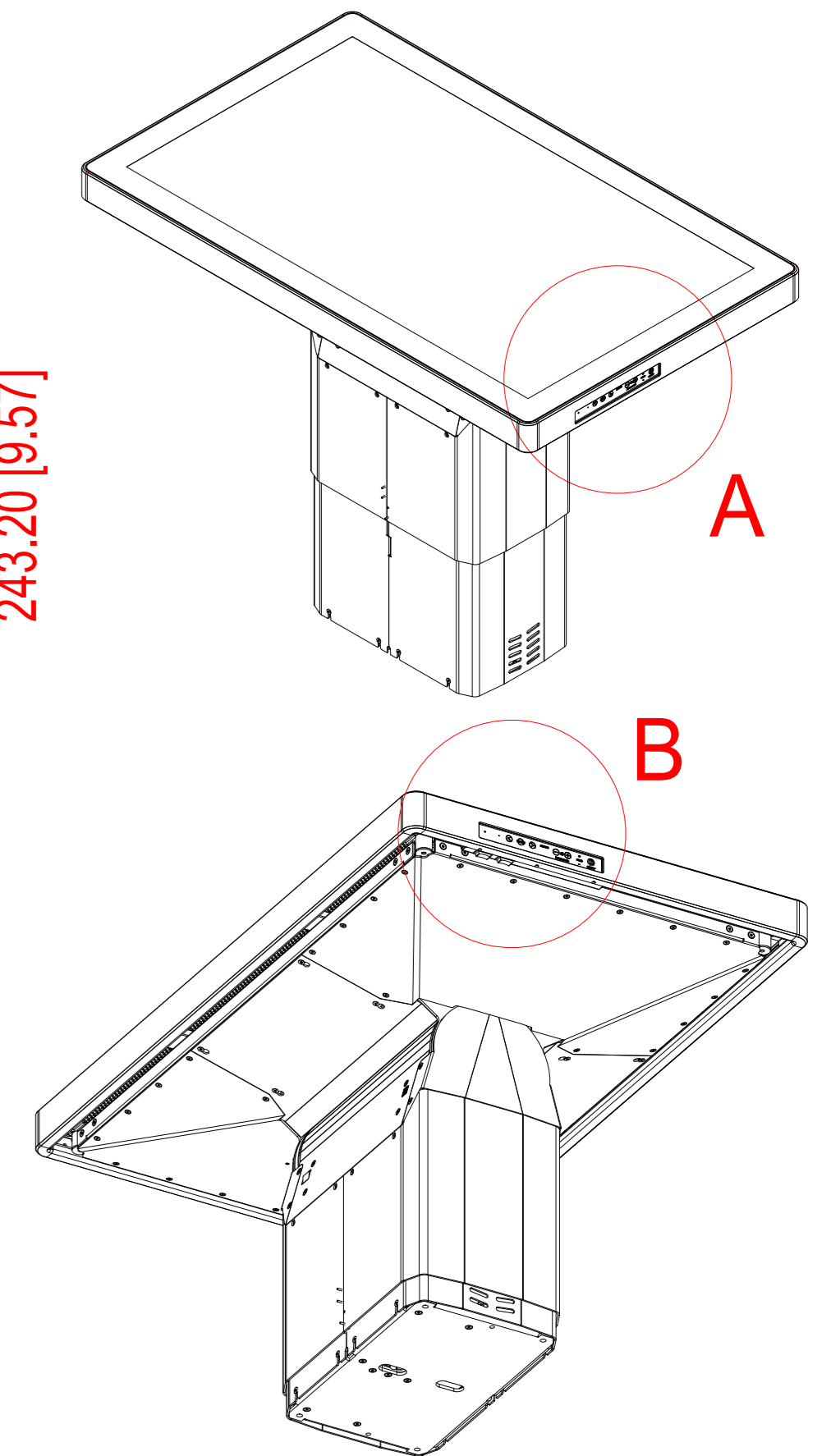
2 x ø 8.50 [0.33]

4 x ø 10.50 [0.41]

103.20 [4.06]

243.20 [9.57]

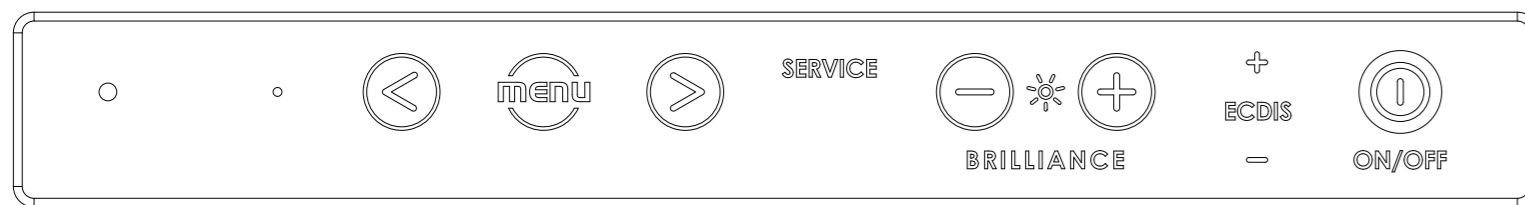
DIMETRIC VIEW



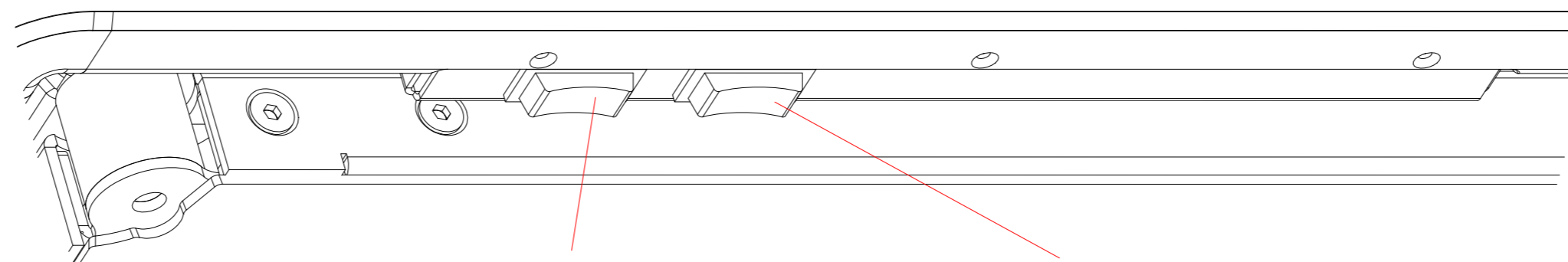
A

B

A: GDC / User Controls



B: Tilt Forward/Back Lift Up/Down



Units: mm [inches]

SALES DRAWING HD 55T22 MVD-AA1-TOGP (Chart & Planning Table)

shown in this drawing, but measurements generally apply for all HD 55T22 MVD-xxx-Txxx models.

Creation date / by:	15.03.16 7258	Projection:		HATTELAND TECHNOLOGY an EMBRON Company
Last rev. date / by:	14.10.16 363	Scale:	1:5	
Hatteland Technology AS Eikeskogvegen 52 N-5570 Akksdal			Tolerance: ISO 2768-1 molded	Welding Specification: ISO 5817 B
			Approved by:	Revision:
			Drawing number:	A009704